

COAST Ice & Cold Solutions

FF5AS - 10AS Series

Sub Zero Flake Ice Machine

380v-415v 3 Phase 50Hz



FF-AS Series - Freon Flake with Refrigeration including Remote Air-Cooled Condenser

Available in 5 Ton and 10 Ton.

The FF-AS Series comes complete with all refrigeration equipment, controls, including air cooled condenser.

Ice is produced at – 9 degrees, from a static vertical evaporator, completely sealed, with minimum maintenance required for the lifetime of the machine. The evaporator is made of high quality, low temperature alloy steel, which increases the heat exchange efficiency and reduces the energy consumption of the machine.

The FF-AS series Flake ice machines can be fitted on a wide range of storage options depending on the customer's requirements.

The FF-AS series is extremely versatile and is used in a wide variety of applications, including: Seafood, Meat Processing, Poultry, Supermarkets and Mining.

Warranty: 3 years parts and labour.

Model list:

FF5AS/FF10AS

SYDNEY OFFICE
46 Box Road
Taren Point NSW 2229
Phone: (02) 9524 1234
Fax: (02) 9524 0968

Coast Distributors Pty Ltd
ABN 86 002 020 162
www.coastdistributors.com.au
May 2014

MELBOURNE OFFICE
25/44 Mahoneys Road
Thomastown VIC 3074
Phone: (03) 9460 1095
Fax: (03) 9460 1357

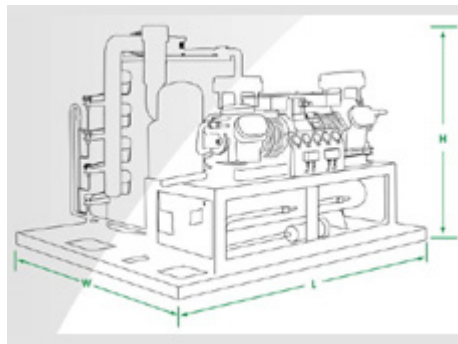
COAST Ice & Cold Solutions

Dimensions of Evaporator & Compressor Without Packing

Model	W	D	H
FF5AS	2100mm	1800mm	1250mm
FF10AS	2100mm	1800mm	1800mm

Dimensions Of Condenser Without Packing

Model	W	D	H
FF5AS	2008mm	910mm	1422mm
FF10AS	3470mm	1160mm	1522mm



Technical Parameter

Model	Ice Capacity per 24hr	Condenser	Power	Current Draw	Water Consumption	Inlet Water Connection	Drainpipe External Diameter	Net Weight	Condenser Weight
FF5AS	5T	Air Cooled	27.5KW	25A	208 L/H	3/4" GAS	Ø 21mm	1500kg	250kg
FF10AS	10T	Air Cooled	55KW	70A	417 L/H	3/4" GAS	Ø 21mm	2500kg	450kg

SYDNEY OFFICE
 46 Box Road
 Taren Point NSW 2229
 Phone: (02) 9524 1234
 Fax: (02) 9524 0968

Coast Distributors Pty Ltd
 ABN 86 002 020 162
www.coastdistributors.com.au
 May 2014

MELBOURNE OFFICE
 25/44 Mahoneys Road
 Thomastown VIC 3074
 Phone: (03) 9460 1095
 Fax: (03) 9460 1357